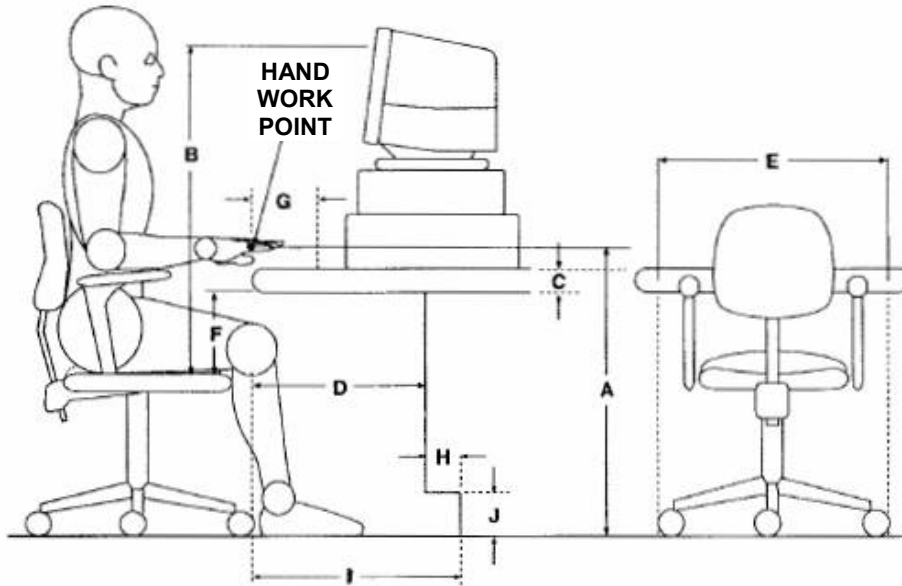


Seated Workstation Specifications



Zone	Description	Dimensions	
A	Height: Distance from ground to hand work height for task.	Adjustable Table (with footrest)	Nonadjustable Table (with adj. chair/footrest)
	Precision Work	27" to 36"	34"
	Light Assembly	22" to 31"	29"
	Manual Work	21" to 28"	28"
B	Display Height: Distance from seat pan to top of viewable portion of display screen.	Adjustable: 27" to 33" Fixed: 27"	
C	Work Surface Thickness; Thickness of work surface at its largest dimension anywhere the legs may contact.	Maximum of 2"	
D	Knee Space Depth: Distance from front edge of work surface to any obstruction.	Minimum of 18"	
E	Knee Space Width: Width of area under work surface.	Minimum of 21" Preferred = 24"	
F	Thigh Clearance: Distance from sitting surface to bottom of work surface anywhere the knees may contact.	Minimum of 8"	
G	Distance to Work: Typical distance from front table edge to a comfortable working point.	1" to 4"	
H	Foot Space Depth: Depth from front of any obstruction.	Minimum of 6"	
I	Distance to Rear of Toe Clearance: Depth from front table edge to any obstruction the foot may contact.	Minimum of 19"	
J	Foot Space Height: Height from foot support surface to the surface the foot may contact.	Minimum of 6"	